
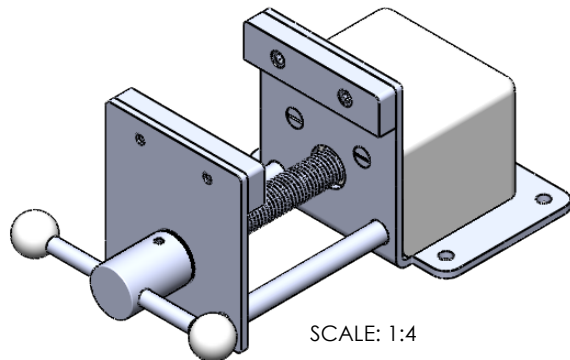
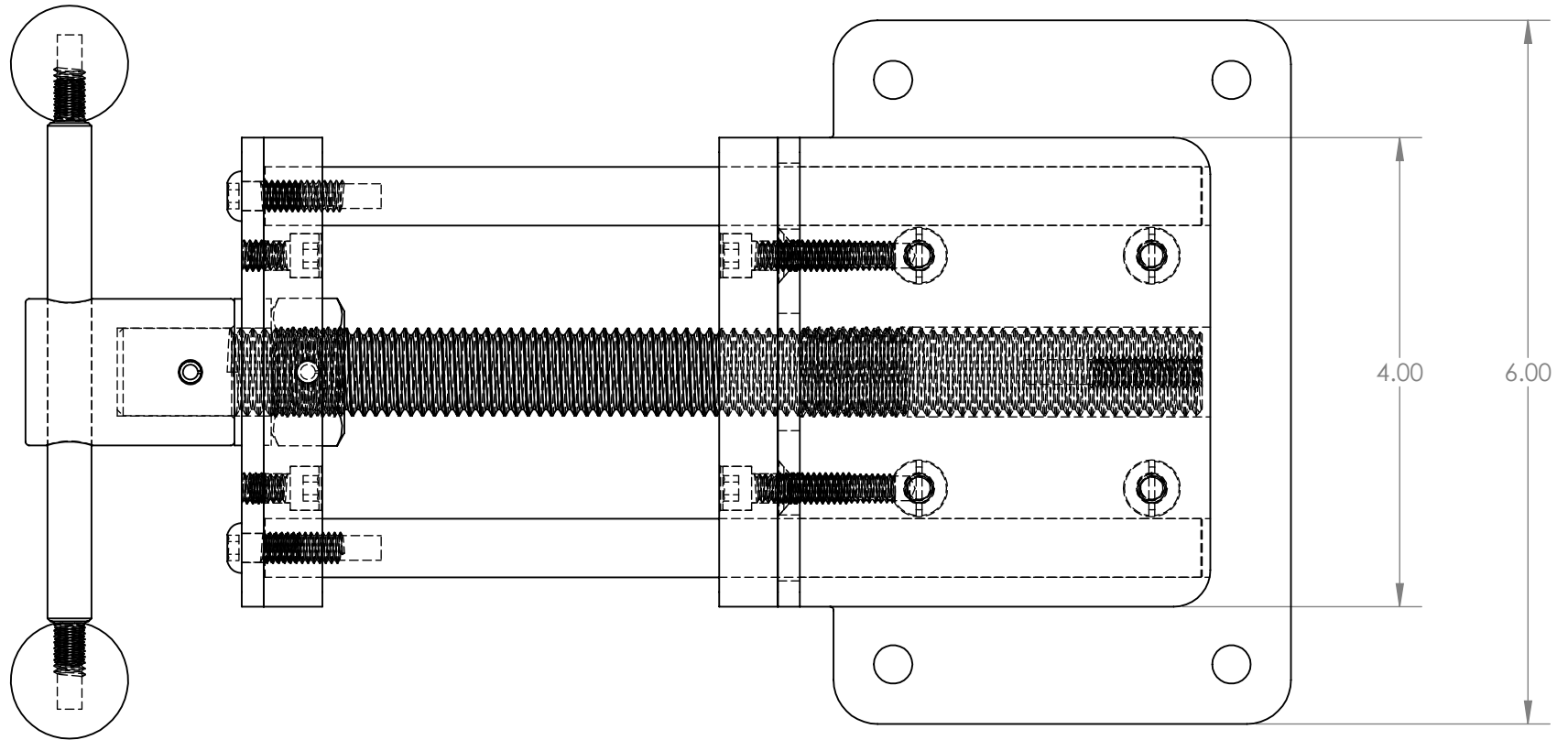



UNLESS OTHERWISE SPECIFIED: DIMENSIONS ARE IN INCHES			TOLERANCES: X.XX= ±0.13 X.XXX= ±0.031 X.XXXX= -0.0015		 <b>STERITOOL™</b> The Global Source for Stainless Steel Tools
DRAWN	NAME	SIGN	DATE		
APP'VD	A.T.		02.08.19		
MATERIAL: NYLON 304 STAINLESS STEEL					TITLE: 4" X 3-1/4" BENCH VISE
THIS DRAWING IS THE PROPERTY OF STERITOOL, INC. ANY REPRODUCTIONS OR MODIFICATIONS OF THIS DRAWING OR ITS CONTENTS WITHOUT THE CONSENT OF STERITOOL, INC. IS PROHIBITED.					PART NO. 10001
					SCALE: 1:1.5



SCALE: 1:4

UNLESS OTHERWISE SPECIFIED: DIMENSIONS ARE IN INCHES			TOLERANCES: X.XX= ±0.13 X.XXX= ±0.031 X.XXXX= -0.0015		 <b>STERITOOL™</b> The Global Source for Stainless Steel Tools
DRAWN	NAME	SIGN	DATE		
APPVD	A.T.		02.08.19		
MATERIAL: NYLON 304 STAINLESS STEEL					TITLE: 4" X 3-1/4" BENCH VISE
<i>THIS DRAWING IS THE PROPERTY OF STERITOOL, INC. ANY REPRODUCTIONS OR MODIFICATIONS OF THIS DRAWING OR ITS CONTENTS WITHOUT THE CONSENT OF STERITOOL, INC. IS PROHIBITED.</i>					PART NO. 10001
					SCALE: 1:1.5